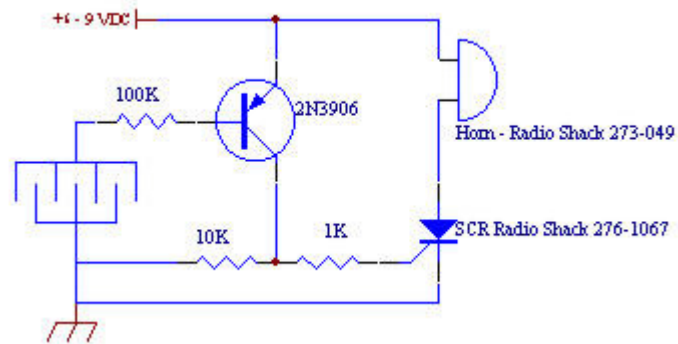


Moisture Alarm



Notes:

This detector's sensor sections is nothing more than some fine wires spaced apart about one thru two inches from each other. When the area inbetween the wires becomes moist, the horn sounds. To reset the buzzer, disconnect the DC 6-9volt supply and re connect it.

If you build this one, let me know at NJ95K@HOTMAIL.COM. I would love to know how it went and will place any info you have on this page. Thanks!